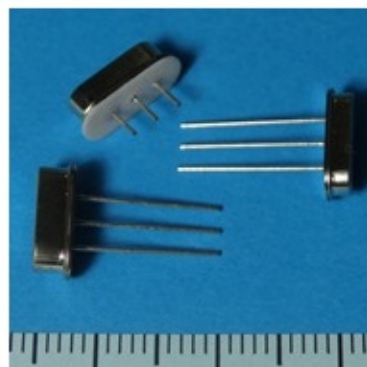


QUARTZ CRYSTAL UNITS IN HC-49/S THD PACKAGE (3-PINS VERSION)

PART NUMBER SYNTAX

	01-CR1	-00	-25M000	-T	18	-2050	E	-EXT
PN Family (metal can crystal units)								
Family Index (for No. of pins and package height)								
Frequency (with at least three digits after dec.)								
Third overtone indicator (blank for FUND mode)								
Frequency Tolerance and Stability (numerical)								
Operating temperature code (i.e. C=-10~+60°C; E=-20~+70°C; M=-40~+85°C)								
Part number extension (for non-standard parts)								
Available families of 3-pin THD: 01-CR1-32 01-CR1-38								



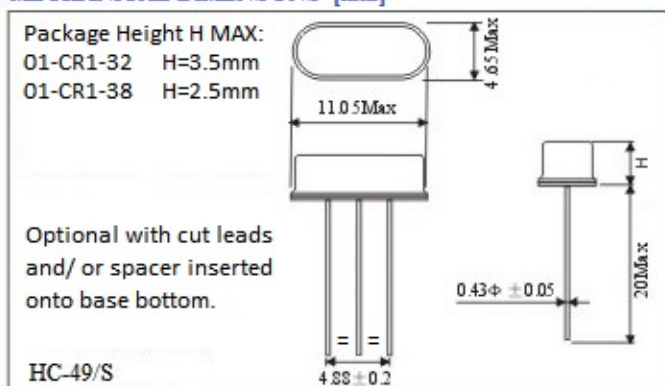
PRODUCT SPECIFICATIONS

Frequency Range (Fo)	3.2MHz to 90.0MHz			
Frequency Tolerance(at 25°C) ($\Delta f/f_0$)	± 50 ppm(typ)	± 30 ppm	± 50 ppm	± 50 ppm
Temperature Stability(REF To 25°C)	± 50 ppm(typ)	± 30 ppm	± 100 ppm	± 100 ppm
Operating Temperature Range (TOPR)	-10°C to 70°C(AT)			0°C to 60°C(BT)
Storage Temperature Range (TSTG)	-40°C to 85°C			
Shunt Capacitance (Co)	7pF Max			
Load Capacitance (CL)	10 to 32pF or Series Resonant			
Insulation Resistance	500 Mega ohms Minimum at 100Vdc			
Drive Level	0.1MW			
Aging(at 25°C)	± 5 ppm/year Max			

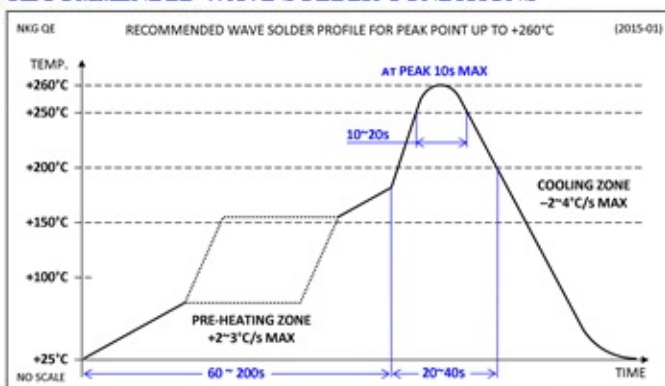
EQUIVALENT SERIES RESISTANCE ESR

Frequency Range	Max ESR(Ω)	Mode	Frequency Range	Max ESR(Ω)	Mode
3.200MHz to 3.500MHz	150	Fundamental/AT	8.000MHz to 8.999MHz	60	Fundamental/AT
3.500MHz to 3.999MHz	120	Fundamental/AT	9.000MHz to 9.999MHz	50	Fundamental/AT
4.000MHz to 4.499MHz	100	Fundamental/AT	10.000MHz to 12.999MHz	40	Fundamental/AT
4.500MHz to 4.999MHz	100	Fundamental/AT	13.000MHz to 19.999MHz	30	Fundamental/AT
5.000MHz to 5.999MHz	100	Fundamental/AT	20.000MHz to 30.999MHz	20	Fundamental/AT
6.000MHz to 6.999MHz	70	Fundamental/AT	30.000MHz to 90.000MHz	30	3rd overtone/AT
7.000MHz to 7.999MHz	60	Fundamental/AT	27.000MHz to 40.000MHz	30	Fundamental/BT

MECHANICAL DIMENSIONS [mm]



RECOMMENDED WAVE SOLDER CONDITIONS



HONG KONG:
 NAKAGAWA ELECTRONICS LIMITED

+852 2389 9201 sales@nkg.com.hk
 +852 2341 0001 www.nkg.com.hk

China Shenzhen office:
 深圳中川晶体电子有限公司

+86(0)755 2598 2648 sales_sz@nkg.cn
 +86(0)755 2598 2390 www.nkg.com.hk

China Suzhou office:

苏州纳美电子有限公司
 +86(0)512 8818 7890 sales_nm@nkg.cn
 +86(0)512 8818 7889 www.nkg.com.hk