

TUNING FORK QUARTZ CRYSTAL UNIT IN CERAMIC SEAM SEAL SMD PACKAGE, SIZE 2.0 X 1.2MM.

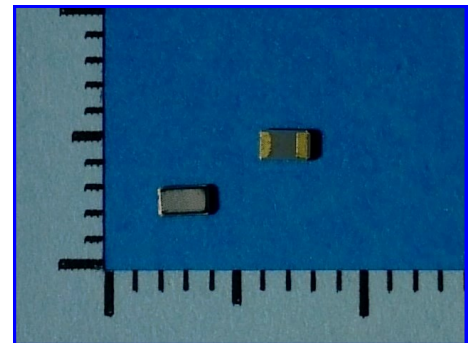
01-CR3-06

PRODUCT FEATURES

- MINIATURE SIZE PACKAGE SIZE 2.0 X 1.2 X 0.5MM WITH 2 PADS.
- EXCELLENT HEAT AND SHOCK RESISTANCE.
- HIGHLY RELIABLE AND LOW AGING SEAM SEAL PACKAGE.
- PERFECT FOR SMT AND LEAD-FREE REFLOW PROCESS.

APPLICATIONS

- REAL TIME CLOCKS
- PORTABLE DEVICES
- TIMING DEVICES



PRODUCT SPECIFICATIONS

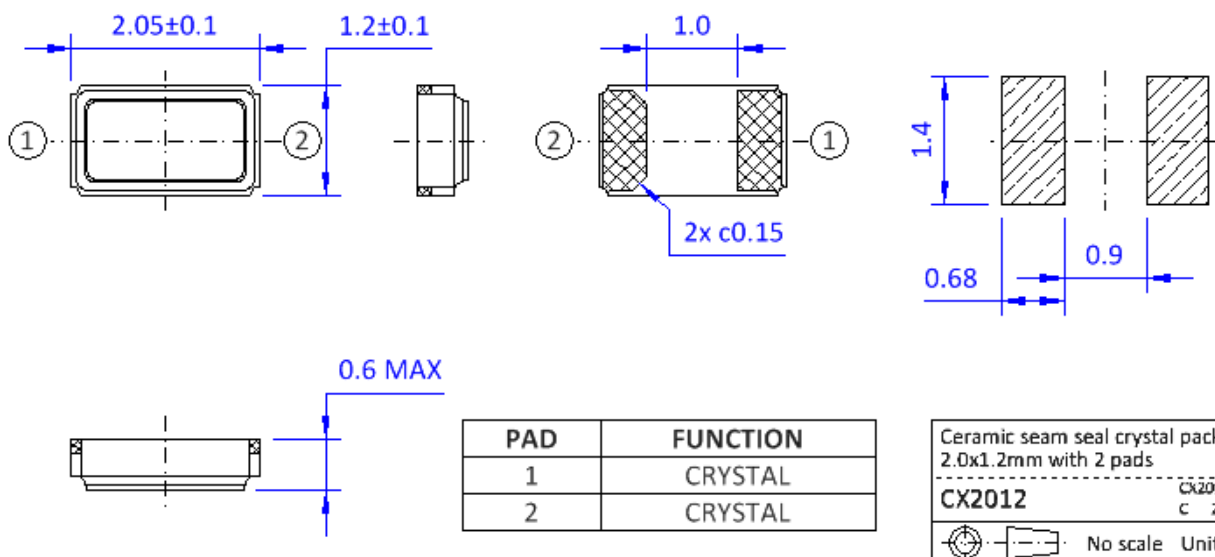
PARAMETER	SYMBOL	SPECIFICATIONS	REMARKS
FREQUENCY	F_N	32.768kHz	—
OPERATION MODE	—	FUNDAMENTAL	—
FREQUENCY TOLERANCE	$\Delta f/f$	$\pm 10\text{PPM}, \pm 20\text{PPM}, \pm 30\text{PPM}, \pm 50\text{PPM}$	OTHER OPTIONS AVAILABLE
TEMPERATURE COEFFICIENT	K	$-0.045\text{PPM}/\Delta^\circ\text{C}^2$	SEE NOTE 1
TURNOVER POINT TEMPERATURE	T_{TP}	$+25\pm 5^\circ\text{C}$	SEE NOTE 2
OPERATING TEMPERATURE RANGE	T_{OP}	$-20^\circ\text{C} \sim +70^\circ\text{C}$ OR $-40^\circ\text{C} \sim +85^\circ\text{C}$	OTHER OPTIONS AVAILABLE
LOAD CAPACITANCE	CL	6pF, 7pF, 9pF, 12.5pF	PLEASE SPECIFY LOAD CAPACITANCE
EQUIVALENT SERIES RESISTANCE	ESR	90k Ω MAX	@+25 $^\circ\text{C}$
SHUNT CAPACITANCE	C_0	1.0pF TYP	—
DRIVE LEVEL	DL	1 μW MAX	—
AGING FIRST YEAR	$\Delta f/y_1$	$\pm 3\text{PPM}$	@+25 $^\circ\text{C}$
INSULATION RESISTANCE	IR	>500M Ω	@100 $\pm 15V_{DC}$
STORAGE TEMPERATURE RANGE	T_{ST}	$-55^\circ\text{C} \sim +125^\circ\text{C}$	—

NOTE 1: THE TEMPERATURE COEFFICIENT IS THE CONSTANT OF THE PARABOLIC CURVATURE WHICH THE FREQUENCY DESCRIBES OVER OPERATING TEMPERATURE RANGE.

NOTE 2: THE TURNOVER TEMPERATURE DESCRIBES THE LOCATION OF THE TURNING POINT OF THE PARABOLIC FUNCTION.

MECHANICAL DIMENSIONS

RECOMMENDED LAND PATTERN



TUNING FORK QUARTZ CRYSTAL UNIT IN CERAMIC SEAM SEAL SMD PACKAGE, SIZE 2.0 X 1.2MM.

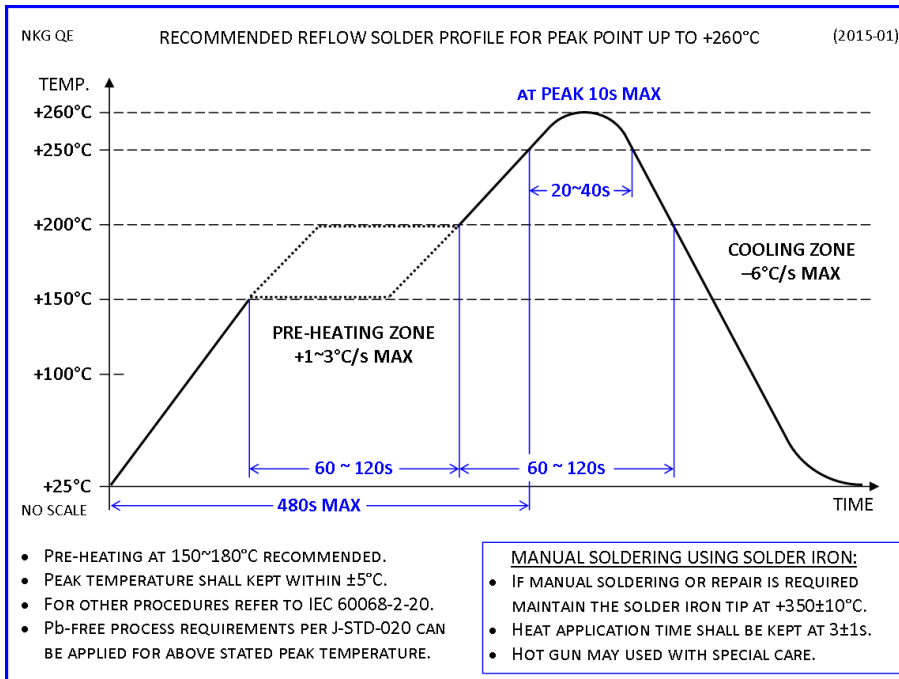
01-CR3-06

ENVIRONMENTAL COMPLIANCE INFORMATION

- ROHS 6/6 COMPLIANT (DIRECTIVE 2011/65/EC) AND LEAD-FREE.
- COMPLIANT TO ROHS 2 (DIRECTIVE 2015/863) (ALSO CALLED ROHS 10).
- HALOGEN-FREE PER DEFINITION OF IEC 61249-2-21 2033.
- NONE-USE OF SVHCS PER REACH IS CURRENTLY GIVEN, CONTINUOUSLY MONITORED AND UPDATED AS THE COMMISSION ISSUES NEW RELEASES.
- PRODUCT DOES NOT CONTAIN ANY PHTHALATES (PHS).
- PRODUCT DOES NOT CONTAIN PVC (POLYVINYL CHLORIDE).
- PRODUCT DOES NOT CONTAIN PFOS/PFOA NOR BEING SAME USED TO MANUFACTURE THE COMPONENTS OF THIS PRODUCT.
- MOISTURE SENSITIVITY LEVEL (MSL) 1 PER J-STD-020C.

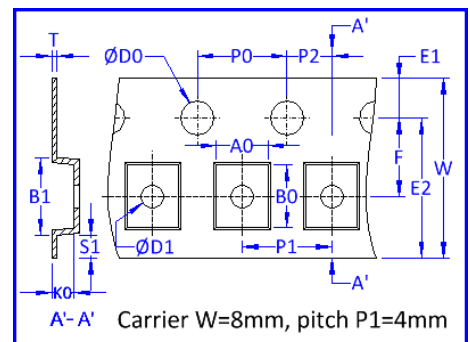


SOLDERING RECOMMENDATIONS



PACKAGING INFORMATION

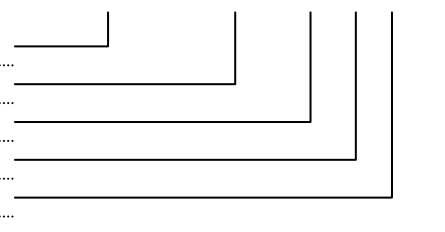
- PACKAGING IN TAPE & REEL IN COMPLIANCE TO EIA-481.
- QTY PER REEL: 3,000PCS
- REEL DIA A=180MM.
- EMBOSSED CARRIER TAPE WIDTH W = 8MM.
- COMPONENT PITCH P1 = 4MM.



PART NUMBER SYNTAX

- PART NUMBER FAMILY (REPRESENTS PRODUCT MODEL AND PACKAGE SIZE / TYPE)
- NOMINAL FREQUENCY (IN KHZ WITH AT LEAST THREE DIGITS AFTER DECIMAL POINT "k")
- LOAD CAPACITANCE (ACTUAL VALUE IN PF, I.E. 09= 9PF, 12.5= 12.5PF)
- FREQUENCY TOLERANCE DESIGNATOR (ACTUAL VALUE IN PPM OR CODE FOR SPECIAL REQ.)
- OPERATING TEMPERATURE RANGE CODE (I.E. C= -10~60°C, E= -20~70°C, M= -40~85°C)
- INTERNAL CODE FOR PRODUCTION LINE AND DEVIATING SPEC PARAMETERS

01-CR3-06-32k768-09-20M-CMC



FOR MORE INFORMATION PLEASE CONTACT US.

HONG KONG:
NAKAGAWA ELECTRONICS LIMITED
☎ +852 2389 9201 ✉ sales@nkg.com.hk
☎ +852 2341 0001 🌐 www.nkg.com.hk

China Shenzhen office:
深圳中川晶体电子有限公司
☎ +86(0)755 2598 2648 ✉ sales_sz@nkg.cn
☎ +86(0)755 2598 2390 🌐 www.nkg.com.hk

China Suzhou office:
苏州纳美电子有限公司
☎ +86(0)512 8818 7890 ✉ sales_nm@nkg.cn
☎ +86(0)512 8818 7889 🌐 www.nkg.com.hk