

CERAMIC RESONATOR UNIT IN RESIN THRU-HOLE PACKAGE, SIZE 10MM.

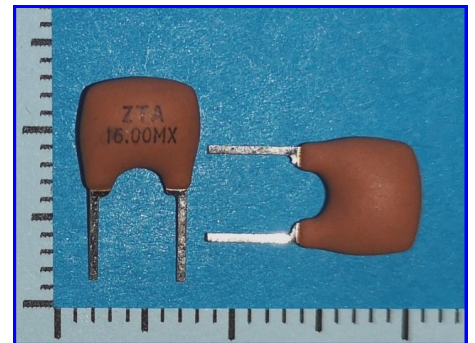
ZTA

PRODUCT FEATURES

- RESIN THRU-HOLE CASE IN WIDTH 10MM WITH 2 LEADS.
- INDUSTRIAL OPERATING TEMPERATURE RANGE -40 TO $+85^{\circ}\text{C}$ AVAILABLE.

APPLICATIONS

- MICROPROCESSOR
- REMOTE CONTROL DEVICES



PRODUCT SPECIFICATIONS

PARAMETER	SYMBOL	SPECIFICATIONS	REMARKS
FREQUENCY RANGE	F_N	6.0 ~ 60.0MHz	NOTE 1
OSCILLATION MODE	—	EXTENSIONAL FUNDAMENTAL	ZTA_._MT — 6.0 ~ 13.0MHz
		EXTENSIONAL OVERTONE	ZTA_._MX — >12.0 ~ 60.0MHz
FREQUENCY TOLERANCE	$\Delta f/F_N$	$\pm 0.5\%$ OR $\pm 0.3\%$	STANDARD / OPTION
STABILITY OVER OPERATING TEMP.	T_C	$\pm 0.3\%$	DEPENDENT ON OPERATING TEMP. RANGE
OPERATING TEMPERATURE RANGE	T_{OP}	$-25^{\circ}\text{C} \sim +85^{\circ}\text{C}$ OR $-40^{\circ}\text{C} \sim +85^{\circ}\text{C}$	—
AGING RATE OVER 10 YEARS	$\Delta f/y_{10}$	$\pm 0.3\%$	@ $+25^{\circ}\text{C}$
RESONANCE RESISTANCE	R_O	25 Ω MAX	ZTA_._MT — 6 ~ 13MHz
		30 Ω MAX / 25 Ω MAX	ZTA_._MX — 12 ~ 20 / >20 MHz
LOAD CAPACITORS (EXTERNAL)	C1 & C2	22pF (30; 33; 47pF)	ZTA_._MT — 6.0 ~ 13.0MHz, NOTE 2
		33pF (22; 30pF)	ZTA_._MX — 12.0 ~ 20.0MHz
		15pF	ZTA_._MX — 20.1 ~ 25.9MHz
		5pF	ZTA_._MX — ≥ 26.0 MHz
RATED VOLTAGE	U_R	6.0V _{DC} OR 15.0V _{PP}	MAXIMUM DC OR AC OPERATING VOLTAGE
WITHSTANDING VOLTAGE	U_W	50.0V _{DC}	FOR 1 MINUTE MAXIMAL

NOTE 1: TYPICAL FREQUENCIES: 8MHz, 10MHz, 12MHz, 14.74MHz, 16MHz, 18.43MHz, 20MHz, 24MHz, 25MHz, 40MHz, 48MHz, 50MHz

NOTE 2: THE LOAD CAPACITORS C1 AND C2 ARE TO BE ADDED ONTO PCB, SHOWN IS THE RECOMMENDED CAPACITOR VALUE, THE VALUES IN BRACKETS SHOW AVAILABLE OPTIONS FOR WHICH THE RESONATOR CAN BE TUNED FOR (SETUP IN MANUFACTURING READY). OTHER VALUES PLEASE REQUEST.

MECHANICAL DIMENSIONS

PN	HEIGHT H
ZTA6.00~13.00MT	10mm MAX
ZTA12.00~23.99MX	10mm MAX
ZTA24.00~31.99MX	7.5mm MAX
ZTA32.00~60.00MX	6.5mm MAX

PIN	FUNCTION
1	INPUT / OUTPUT [IN / OUT]
2	OUTPUT / INPUT [OUT / IN]

Ceramic resonator thru-hole package 10mm width with 2 pins

RCR10xx-P2 B 2019-06

No scale Unit: mm

CERAMIC RESONATOR UNIT IN RESIN THRU-HOLE PACKAGE, SIZE 10MM.

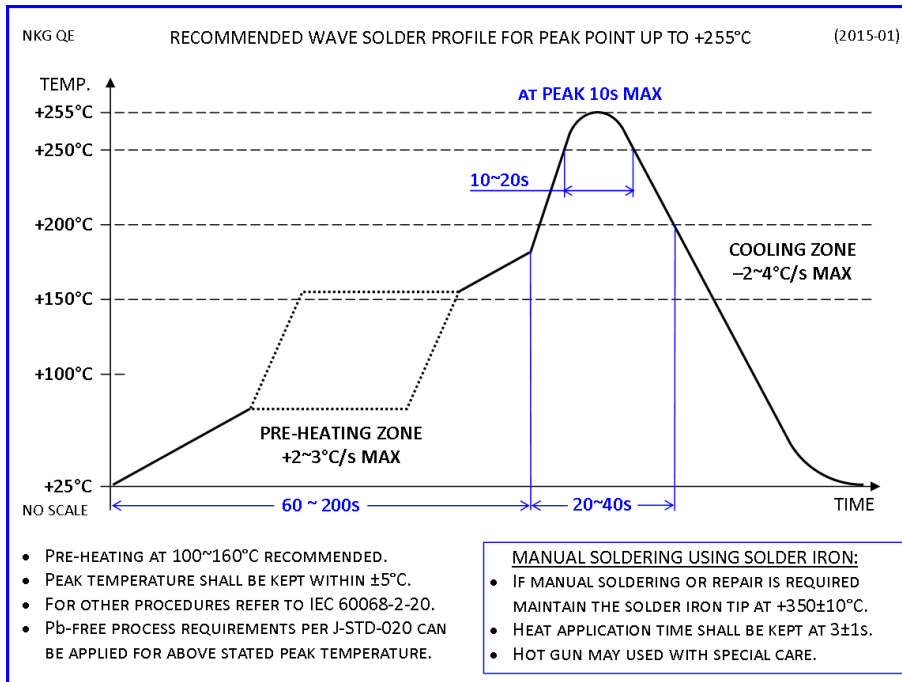
ZTA

ENVIRONMENTAL COMPLIANCE INFORMATION

- ROHS 5/6 COMPLIANT (DIRECTIVE 2011/65/EC).
- COMPLIANT TO ROHS 2 (DIRECTIVE 2015/863) (ALSO CALLED ROHS 10).
- HALOGEN-FREE PER DEFINITION OF IEC 61249-2-21 2033.
- COMPLIANCE TO THE LISTED SVHCs BY REACH IS NOT GIVEN ANYMORE SINCE LEAD AND LEAD COMPOUNDS HAD BEEN ADDED TO THE LIST OF SVHCs.
- PRODUCT DOES NOT CONTAIN ANY PHTHALATES (PHs).
- PRODUCT DOES NOT CONTAIN PVC (POLYVINYL CHLORIDE).
- PRODUCT DOES NOT CONTAIN PFOS/PFOA NOR BEING SAME USED TO MANUFACTURE THE COMPONENTS OF THIS PRODUCT.
- MOISTURE SENSITIVITY LEVEL (MSL) 1 PER J-STD-020C.

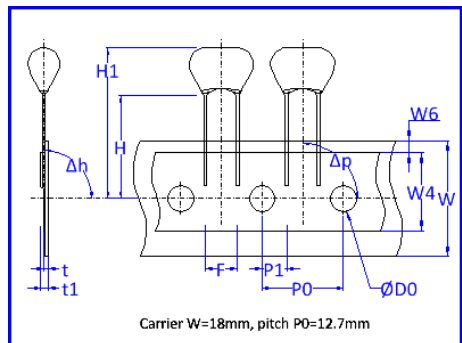


SOLDERING RECOMMENDATIONS



PACKAGING INFORMATION

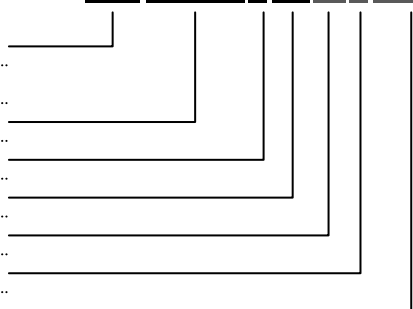
- BULK PACKAGING
- QTY PER BAG: 500PCS
- QTY PER BOX: 1,500PCS
- OPTIONAL PACKAGING ON TAPE & AMMO BOX, EIA-468 COMPLIANT
- QTY PER BOX: 2,000PCS
- CARRIER TAPE WIDTH W = 16MM
- PITCH P0 = 12.7MM



PART NUMBER SYNTAX

- PART NUMBER FAMILY (GROUP INDICATOR FOR CERAMIC RESONATOR WITH INBUILT LOAD CAPACITORS)
- PART NUMBER FAMILY (BLANK)
- NOMINAL FREQUENCY (IN MHZ WITH AT LEAST TWO DIGITS AFTER DECIMAL POINT FOLLOWED BY "M")
- VIBRATION MODE CODE (G = THICKNESS SHEAR FUND, T = EXTENSION FUND, X = EXTENSION OVERT.)
- LOAD CAPACITOR VALUE (NUMERICAL VALUE OF INBUILT LOAD CAPACITORS C1 AND C2 IN pF)
- OPERATING TEMPERATURE RANGE CODE (NO CODE= -25~85°C, M= -40~85°C, Z = -40~125°C)
- FREQUENCY TOLERANCE CODE (OPTIONALLY USE FOR NONE-STANDARD TOLERANCE)
- PART NUMBER EXTENSION (ONLY FOR NONE-STANDARD OR OPTIONAL AMMO PACKAGING)

ZTA 8.00M T 30 M T -EXT



FOR MORE INFORMATION PLEASE CONTACT US.

HONG KONG:
NAKAGAWA ELECTRONICS LIMITED
☎ +852 2389 9201 ✉ sales@nkg.com.hk
☎ +852 2341 0001 🌐 www.nkg.com.hk

China Shenzhen office:
深圳中川晶体电子有限公司
☎ +86(0)755 2598 2648 ✉ sales_sz@nkg.cn
☎ +86(0)755 2598 2390 🌐 www.nkg.com.hk

China Suzhou office:
苏州纳美电子有限公司
☎ +86(0)512 8818 7890 ✉ sales_nm@nkg.cn
☎ +86(0)512 8818 7889 🌐 www.nkg.com.hk