

### CERAMIC FILTER UNIT IN RESIN THRU-HOLE PACKAGE, SIZE 7 X 7MM.

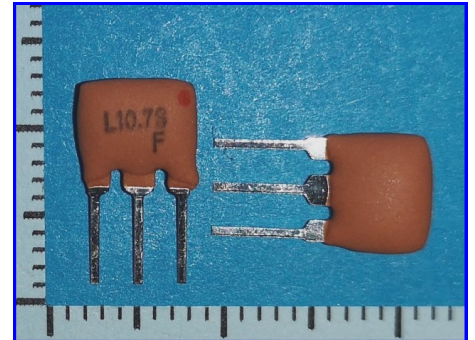
## LT

#### PRODUCT FEATURES

- RESIN THRU-HOLE CASE IN WIDTH 7 X 7 X 4MM WITH 3 LEADS.
- BROAD VARIETY OF PARAMETER CONFIGURATIONS IS AVAILABLE FOR DIFFERENT INPUT / OUTPUT IMPEDANCES TO MATCH DIFFERENT CIRCUITS.

#### APPLICATIONS

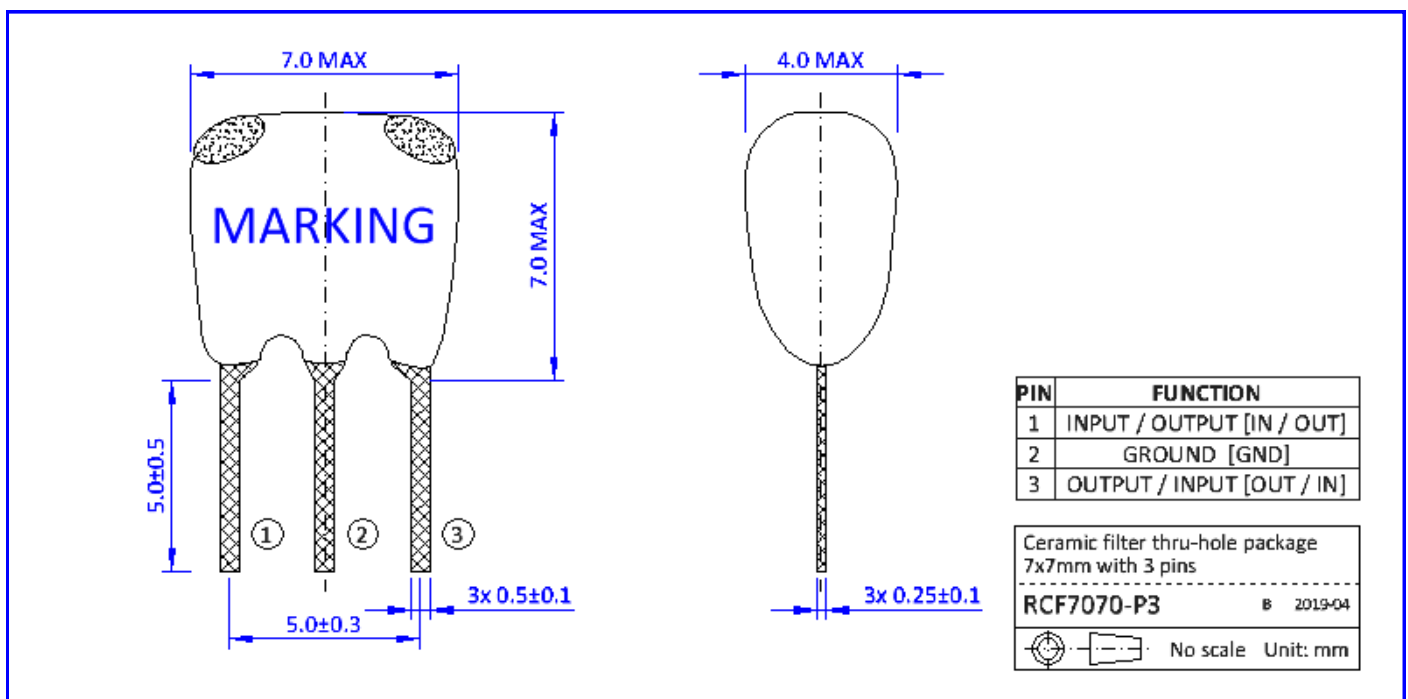
- RADIO APPLICATIONS



#### PRODUCT SPECIFICATIONS

PARAMETER	SYMBOL	SPECIFICATIONS	REMARKS
FREQUENCY RANGE	$F_N$	<b>10.700MHz</b>	—
BANDWIDTH @3dB	$BW_3$	$\pm 110\text{kHz}$ OR $\pm 400\text{kHz}$	SEE PART NUMBER LIST ON NEXT PAGE FOR DETAILS.
BANDWIDTH @20dB (MAX)	$BW_{20}$	$\pm 350\text{kHz}$ OR $\pm 950\text{kHz}$	
INSERTION LOSS (MAX)	IL	2.5 ~ 10dB	
SPURIOUS ATTENUATION (MIN)	SP	20 ~ 40dB	
RIPPLE (MAX WITHIN $BW_3$ )	RP	1.0dB	
INPUT / OUTPUT IMPEDANCE	$Z_{IN} / Z_{OUT}$	330 ~ 600 $\Omega$	
TEMPERATURE CHARACTERISTICS	$T_C$	$\pm 50\text{PPM}/^\circ\text{C}$	OVER OPERATING TEMPERATURE RANGE
OPERATING TEMPERATURE RANGE	$T_{OP}$	$-40^\circ\text{C} \sim +85^\circ\text{C}$	—
WITHSTANDING VOLTAGE	$U_W$	50.0V <sub>DC</sub>	FOR 1 MINUTE MAXIMAL

#### MECHANICAL DIMENSIONS



### CERAMIC FILTER UNIT IN RESIN THRU-HOLE PACKAGE, SIZE 7 X 7MM.

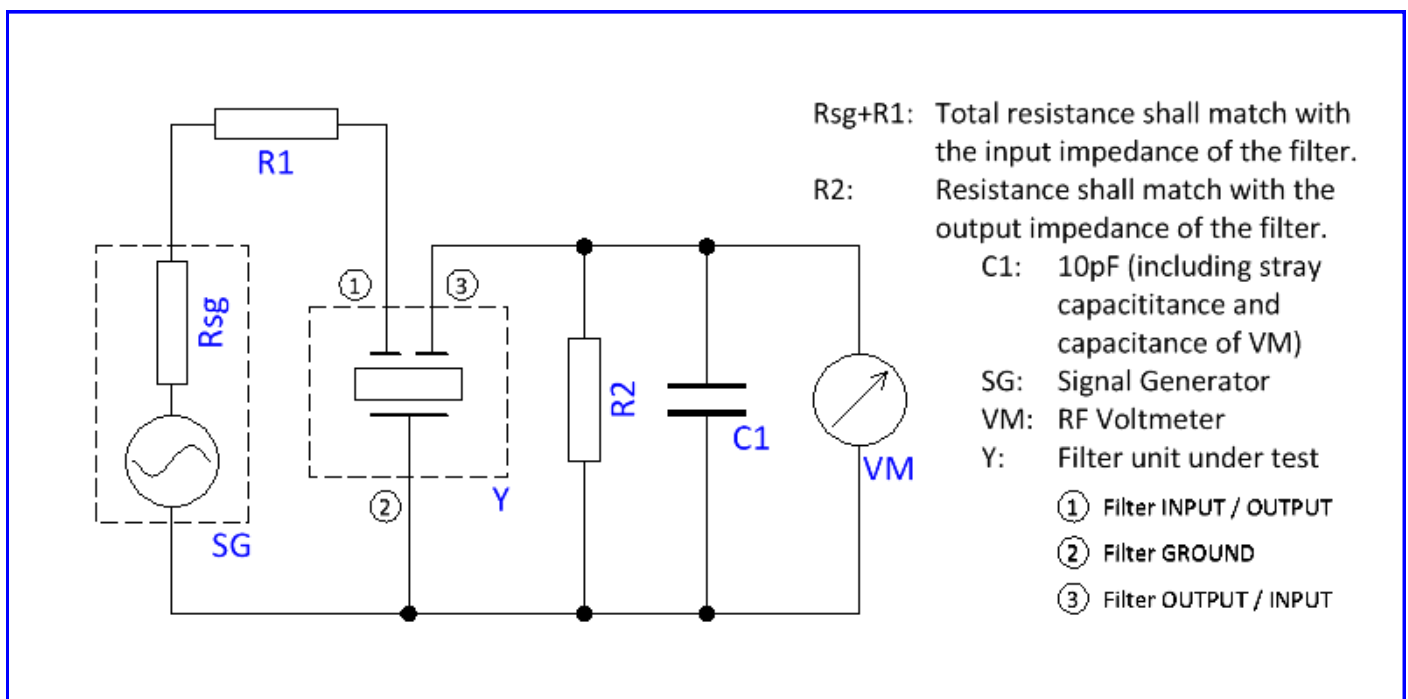
# LT

#### LIST OF AVAILABLE PART NUMBERS

PN	BANDWIDTH @3dB	BANDWIDTH @20dB	INSERTION LOSS (MAX)	SPURIOUS ATTENUATION (MIN)	INPUT / OUTPUT IMPEDANCE
LT10.7MA5	280±50kHz	±650kHz	6dB	30dB	330Ω
LT10.7MS2	230±50kHz	±600kHz	6dB	40dB	330Ω
LT10.7MS3	180±40kHz	±520kHz	7dB	40dB	330Ω
LT10.7MA5A10	280±50kHz	±590kHz	2.5±2.0dB	30dB	330Ω
LT10.7MS2A10	230±50kHz	±520kHz	3.0±2.0dB	35dB	330Ω
LT10.7MS3A10	180±40kHz	±470kHz	3.5±2.0dB	35dB	330Ω
LT10.7MJA10	150±40kHz	±360kHz	4.5±2.0dB	35dB	330Ω
LT10.7MA21	±400kHz MIN	±950kHz	3.0±2.0dB	20dB	330Ω
LT10.7MA19	±175kHz MIN	±950kHz	3.0±2.0dB	20dB	470Ω
LT10.7MA20	330±50kHz	±680kHz	4.0±2.0dB	30dB	330Ω
LT10.7MHY	110±30kHz	±350kHz	5.5±2.0dB	30dB	330Ω
LT10.7MFP	±20kHz MIN	±95kHz	6.0dB MAX	24dB	600Ω
LT10.7MA5L	280±50kHz	±650kHz	6dB	30dB	330Ω
LT10.7MS2L	230±50kHz	±600kHz	6dB	40dB	330Ω
LT10.7MS3L	180±40kHz	±520kHz	7dB	40dB	330Ω
LT10.7MJL	150±40kHz	±400kHz	10dB	40dB	330Ω
LT10.7MA5LA10	280±50kHz	±590kHz	2.5±2.0dB	30dB	330Ω
LT10.7MS2LA10	230±50kHz	±520kHz	3.0±2.0dB	35dB	330Ω
LT10.7MS3LA10	180±40kHz	±470kHz	3.5±1.5dB	35dB	330Ω
LT10.7MJLA10	150±40kHz	±360kHz	5.5±2.0dB	35dB	330Ω

NOTE 1: PARAMETER LIMITS AT +25°C AND IN TEST CIRCUIT AS SHOWN BELOW.

#### TEST CIRCUIT



### CERAMIC FILTER UNIT IN RESIN THRU-HOLE PACKAGE, SIZE 7 X 7MM.

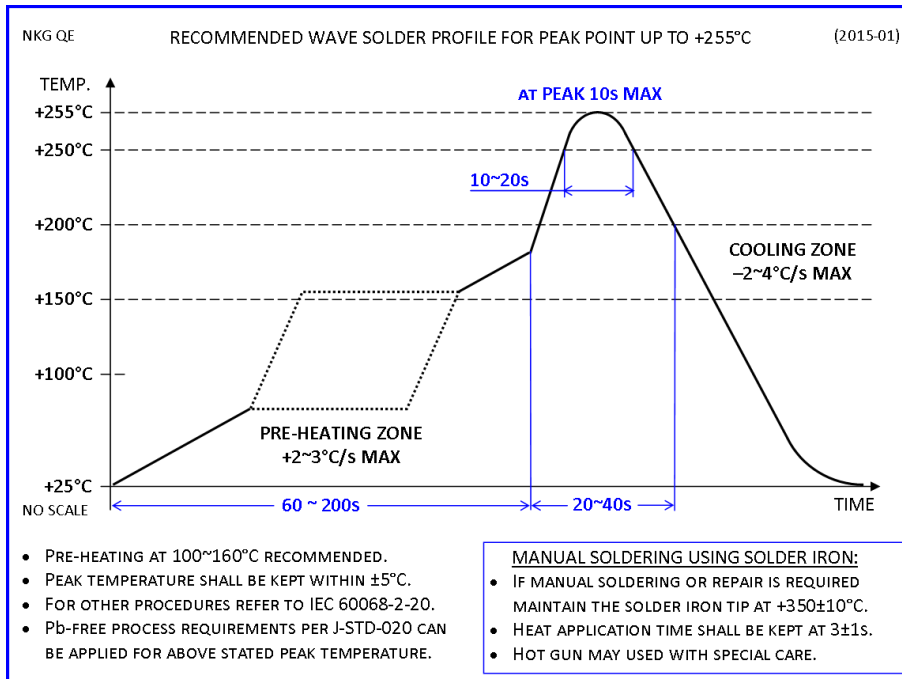
# LT

#### ENVIRONMENTAL COMPLIANCE INFORMATION

- ROHS 5/6 COMPLIANT (DIRECTIVE 2011/65/EC).
- COMPLIANT TO ROHS 2 (DIRECTIVE 2015/863) (ALSO CALLED ROHS 10).
- HALOGEN-FREE PER DEFINITION OF IEC 61249-2-21 2033.
- COMPLIANCE TO THE LISTED SVHCs BY REACH IS NOT GIVEN ANYMORE SINCE LEAD AND LEAD COMPOUNDS HAD BEEN ADDED TO THE LIST OF SVHCs.
- PRODUCT DOES NOT CONTAIN ANY PHTHALATES (PHs).
- PRODUCT DOES NOT CONTAIN PVC (POLYVINYL CHLORIDE).
- PRODUCT DOES NOT CONTAIN PFOS/PFOA NOR BEING SAME USED TO MANUFACTURE THE COMPONENTS OF THIS PRODUCT.
- MOISTURE SENSITIVITY LEVEL (MSL) 1 PER J-STD-020C.



#### SOLDERING RECOMMENDATIONS



#### PACKAGING INFORMATION

- BULK PACKAGING
- QTY PER BAG: 500PCS
- QTY PER BOX: 1,500PCS

#### PART NUMBER SYNTAX

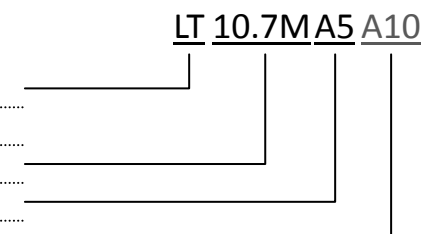
PART NUMBER FAMILY (GROUP INDICATOR FOR CERAMIC FILTER UNITS)

PART NUMBER FAMILY (BLANK)

NOMINAL FREQUENCY (IN MHZ WITH ONE DIGIT AFTER DECIMAL POINT FOLLOWED BY "M")

TYPE CODE (REPRESENTING VIBRATION MODE AND CERTAIN ELECTRICAL PARAMETER CONFIGURATIONS)

OPTIONAL TYPE CODE (REPRESENTS DEVIATING ELECTRICAL PARAMETER CONFIGURATIONS)



FOR MORE INFORMATION PLEASE CONTACT US.

HONG KONG:

NAKAGAWA ELECTRONICS LIMITED

+852 2389 9201 sales@nkg.com.hk  
+852 2341 0001 www.nkg.com.hk

China Shenzhen office:

深圳中川晶体电子有限公司

+86(0)755 2598 2648 sales\_sz@nkg.cn  
+86(0)755 2598 2390 www.nkg.com.hk

China Suzhou office:

苏州纳美电子有限公司

+86(0)512 8818 7890 sales\_nm@nkg.cn  
+86(0)512 8818 7889 www.nkg.com.hk