

### CERAMIC FILTER UNIT IN RESIN THRU-HOLE PACKAGE, SIZE 10 X 8MM.

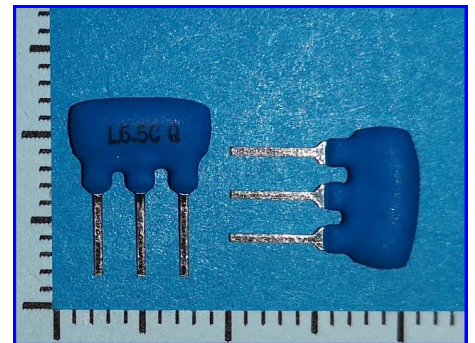
## LTS

#### PRODUCT FEATURES

- RESIN THRU-HOLE CASE IN WIDTH 10 X 8 X 4MM WITH 3 LEADS.
- MULTIPLE FREQUENCIES WITH DIFFERENT BANDWIDTH AND INSERTION LOSS.

#### APPLICATIONS

- RADIO APPLICATIONS

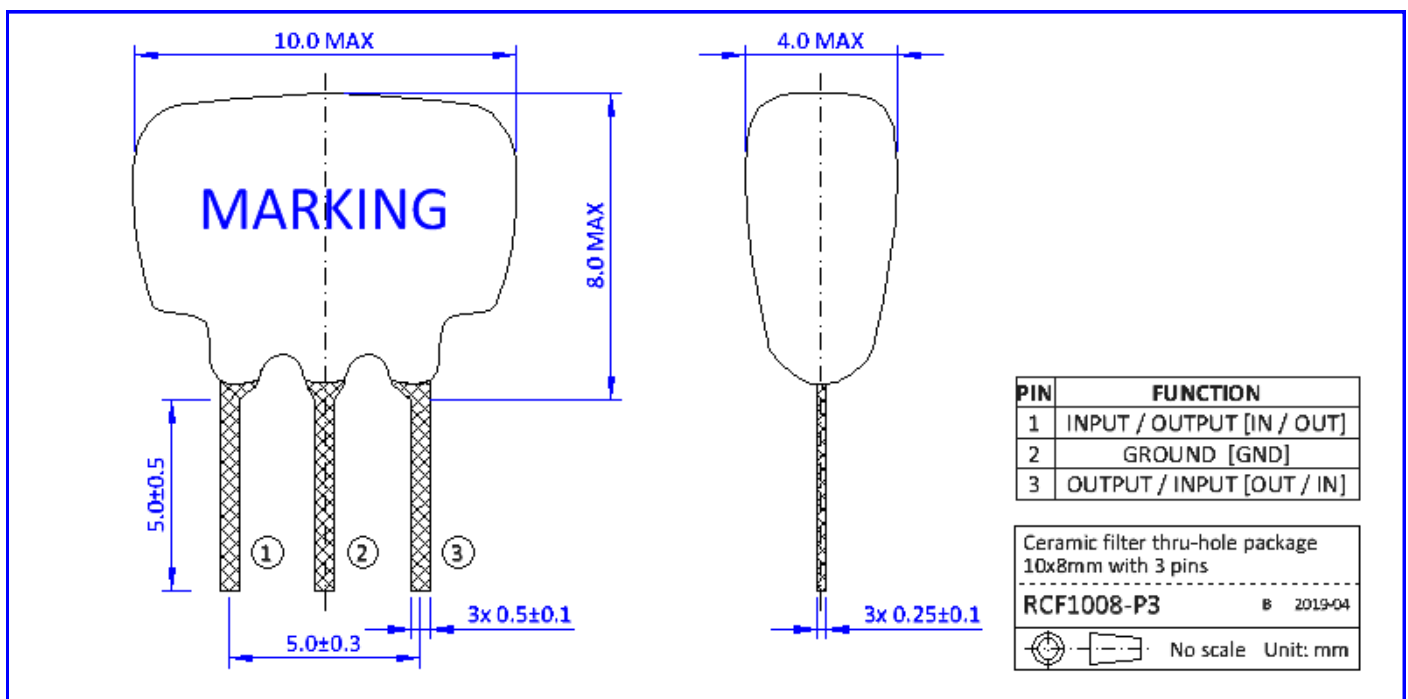


#### PRODUCT SPECIFICATIONS

PARAMETER	SYMBOL	SPECIFICATIONS	REMARKS
FREQUENCY RANGE	$F_N$	2.3 ~ 6.5MHz	NOTE 1
BANDWIDTH @3dB	$BW_3$	$\pm 70\text{kHz}$ OR $\pm 125\text{kHz}$	SEE PART NUMBER LIST ON NEXT PAGE FOR DETAILS.
BANDWIDTH @20dB (MAX)	$BW_{20}$	$\pm 650\text{kHz}$ OR $\pm 800\text{kHz}$	
INSERTION LOSS (MAX)	IL	6dB	
SPURIOUS ATTENUATION (MIN)	SP	25 ~ 30dB	
INPUT / OUTPUT IMPEDANCE	$Z_{IN} / Z_{OUT}$	1000 $\Omega$	—
TEMPERATURE CHARACTERISTICS	$T_C$	$\pm 100\text{PPM}/^\circ\text{C}$	OVER OPERATING TEMPERATURE RANGE
OPERATING TEMPERATURE RANGE	$T_{OP}$	$-25^\circ\text{C} \sim +85^\circ\text{C}$	—
WITHSTANDING VOLTAGE	$U_W$	50.0V <sub>DC</sub>	FOR 1 MINUTE MAXIMAL

NOTE 1: TYPICAL FREQUENCIES: 2.3MHz, 2.8MHz, 3.2MHz, 3.8MHz, 4.5MHz, 6.5MHz

#### MECHANICAL DIMENSIONS



### CERAMIC FILTER UNIT IN RESIN THRU-HOLE PACKAGE, SIZE 10 X 8MM.

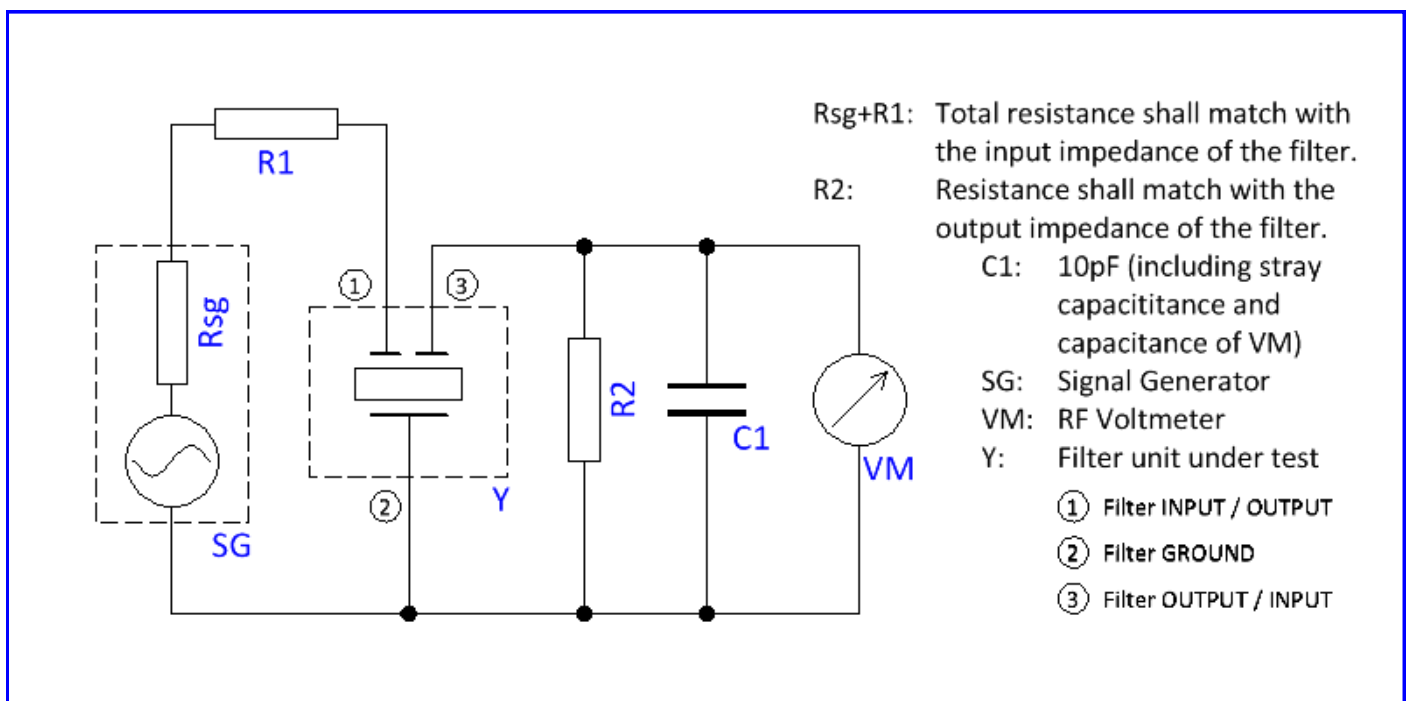
# LTS

#### LIST OF AVAILABLE PART NUMBERS

PN	FREQUENCY [MHz]	BANDWIDTH @3dB	BANDWIDTH @20dB	INSERTION LOSS (MAX)	SPURIOUS ATTENUATION (MIN)
LTS2.3MEB	2.300	±70kHz	±800kHz	6dB	25dB
LTS2.8MEB	2.800	±70kHz	±800kHz	6dB	25dB
LTS3.2MEB	3.200	±70kHz	±800kHz	6dB	25dB
LTS3.8MEB	3.800	±70kHz	±800kHz	6dB	25dB
LTS4.5MEB	4.500	±125kHz	±800kHz	6dB	25dB
LTS6.5MCB	6.500	±70kHz	±650kHz	6dB	30dB

NOTE 1: PARAMETER LIMITS AT +25°C AND IN TEST CIRCUIT AS SHOWN BELOW.

#### TEST CIRCUIT



### CERAMIC FILTER UNIT IN RESIN THRU-HOLE PACKAGE, SIZE 10 X 8MM.

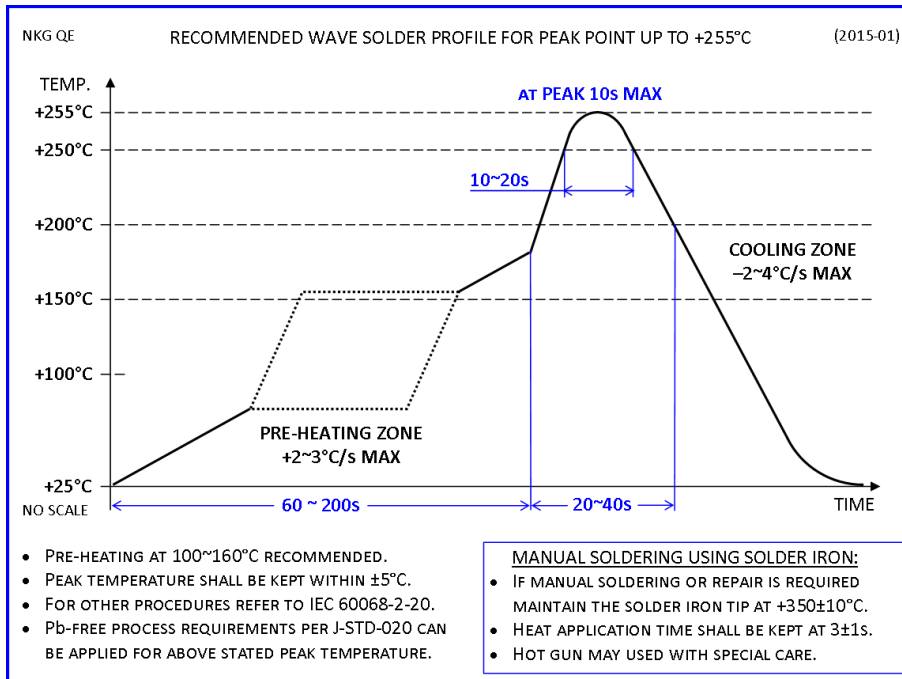
# LTS

#### ENVIRONMENTAL COMPLIANCE INFORMATION

- ROHS 5/6 COMPLIANT (DIRECTIVE 2011/65/EC).
- COMPLIANT TO ROHS 2 (DIRECTIVE 2015/863) (ALSO CALLED ROHS 10).
- HALOGEN-FREE PER DEFINITION OF IEC 61249-2-21 2033.
- COMPLIANCE TO THE LISTED SVHCs BY REACH IS NOT GIVEN ANYMORE SINCE LEAD AND LEAD COMPOUNDS HAD BEEN ADDED TO THE LIST OF SVHCs.
- PRODUCT DOES NOT CONTAIN ANY PHTHALATES (PHs).
- PRODUCT DOES NOT CONTAIN PVC (POLYVINYL CHLORIDE).
- PRODUCT DOES NOT CONTAIN PFOS/PFOA NOR BEING SAME USED TO MANUFACTURE THE COMPONENTS OF THIS PRODUCT.
- MOISTURE SENSITIVITY LEVEL (MSL) 1 PER J-STD-020C.



#### SOLDERING RECOMMENDATIONS



#### PACKAGING INFORMATION

- BULK PACKAGING
- QTY PER BAG: 500PCS
- QTY PER BOX: 1,500PCS

#### PART NUMBER SYNTAX

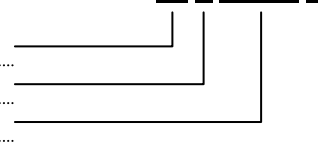
PART NUMBER FAMILY (GROUP INDICATOR FOR CERAMIC FILTER UNITS)

PART NUMBER FAMILY (MODEL INDICATOR REPRESENTING PACKAGE TYPE AND SIZE)

NOMINAL FREQUENCY (IN MHZ WITH ONE DIGIT AFTER DECIMAL POINT FOLLOWED BY "M")

TYPE CODE (REPRESENTING VIBRATION MODE AND CERTAIN ELECTRICAL PARAMETER CONFIGURATIONS)

LTS 3.2M EB



FOR MORE INFORMATION PLEASE CONTACT US.

HONG KONG:

NAKAGAWA ELECTRONICS LIMITED

+852 2389 9201 sales@nkg.com.hk  
+852 2341 0001 www.nkg.com.hk

China Shenzhen office:

深圳中川晶体电子有限公司

+86(0)755 2598 2648 sales\_sz@nkg.cn  
+86(0)755 2598 2390 www.nkg.com.hk

China Suzhou office:

苏州纳美电子有限公司

+86(0)512 8818 7890 sales\_nm@nkg.cn  
+86(0)512 8818 7889 www.nkg.com.hk