

CERAMIC FILTER UNIT IN CERAMIC SMD PACKAGE, SIZE 7 X 3MM.

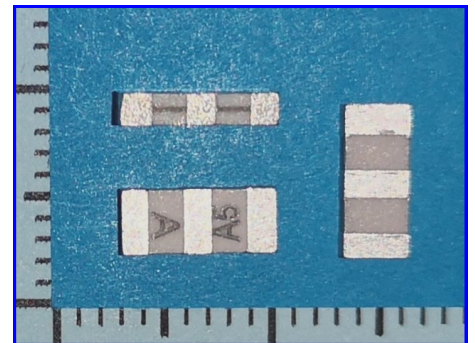
LTCA / LTCV

PRODUCT FEATURES

- CERAMIC SMD CASE IN WIDTH 7 X 3 X 1.5MM WITH 3 PADS.
- VARIETY OF PARAMETER CONFIGURATIONS IS AVAILABLE.

APPLICATIONS

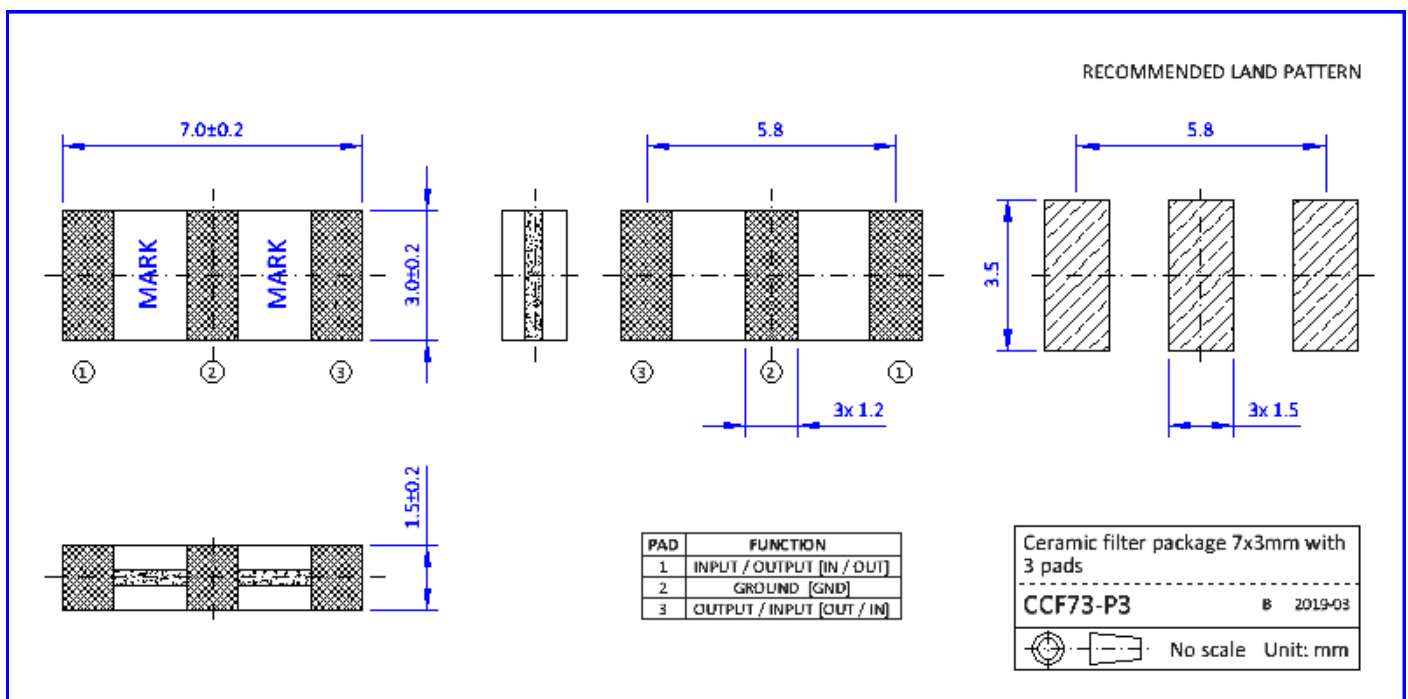
- RADIO APPLICATIONS



PRODUCT SPECIFICATIONS

PARAMETER	SYMBOL	SPECIFICATIONS	REMARKS
FREQUENCY RANGE	F_N	10.700MHz	—
BANDWIDTH @3dB	BW_3	$\pm 150\text{kHz}$ OR $\pm 330\text{kHz}$	SEE PART NUMBER LIST ON NEXT PAGE FOR DETAILS.
BANDWIDTH @20dB (MAX)	BW_{20}	$\pm 380\text{kHz}$ OR $\pm 950\text{kHz}$	
INSERTION LOSS (MAX)	IL	3.0 ~ 10dB	
RIPPLE (MAX WITHIN BW_3)	RP	1.0dB	
SPURIOUS ATTENUATION (MIN)	SP	20 ~ 35dB	
INPUT / OUTPUT IMPEDANCE	Z_{IN} / Z_{OUT}	330 Ω OR 470 Ω	
TEMPERATURE CHARACTERISTICS	T_C	$\pm 0.5\%$	OVER OPERATING TEMPERATURE RANGE
OPERATING TEMPERATURE RANGE	T_{OP}	-25 $^{\circ}\text{C}$ ~ +85 $^{\circ}\text{C}$	—
WITHSTANDING VOLTAGE	U_W	50.0V $_{DC}$	FOR 1 MINUTE MAXIMAL

MECHANICAL DIMENSIONS



CERAMIC FILTER UNIT IN CERAMIC SMD PACKAGE, SIZE 7 X 3MM.

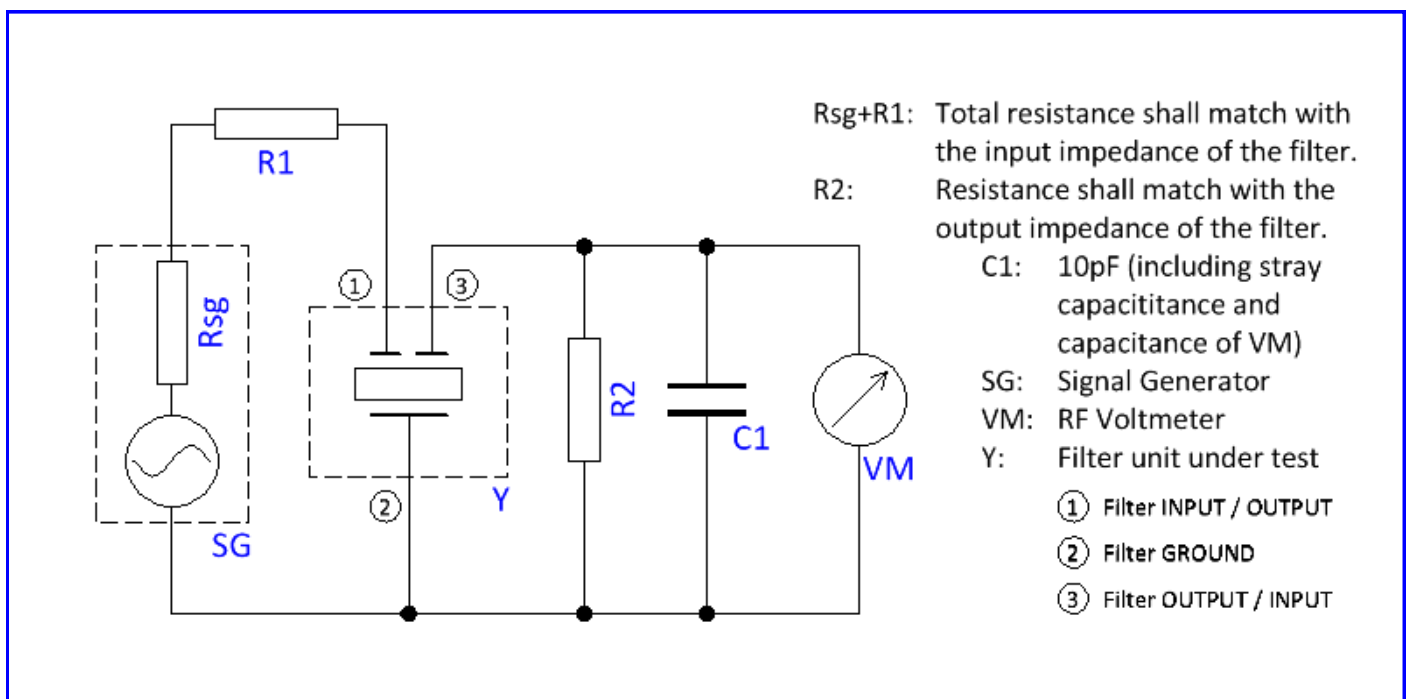
LTCA / LTCV

LIST OF AVAILABLE PART NUMBERS

PN	BANDWIDTH @3dB	BANDWIDTH @20dB	INSERTION LOSS (MAX)	SPURIOUS ATTENUATION (MIN)	INPUT / OUTPUT IMPEDANCE
LTCA10.7MJ	150±40kHz	±430kHz	≤±10dB	30dB	330Ω
LTCV10.7MJ	150±40kHz	±380kHz	5.0±2.0dB	35dB	330Ω
LTCA10.7MS3	180±40kHz	±520kHz	≤±6.0dB	30dB	330Ω
LTCV10.7MS3	180±40kHz	±470kHz	4.0±2.0dB	35dB	330Ω
LTCA10.7MS2	230±40kHz	±570kHz	≤±6.0dB	30dB	330Ω
LTCV10.7MS2	230±40kHz	±510kHz	3.5±2.0dB	35dB	330Ω
LTCA10.7MA5	280±40kHz	±650kHz	≤±6.0dB	30dB	330Ω
LTCV10.7MA5	280±40kHz	±590kHz	3.0±2.0dB	35dB	330Ω
LTCV10.7MA20	330±40kHz	±700kHz	3.0±2.0dB	30dB	330Ω
LTCV10.7MA19	$F_N \pm 175\text{kHz}$	±950kHz	3.0±2.0dB	20dB	470Ω

NOTE 1: PARAMETER LIMITS AT +25°C AND IN TEST CIRCUIT AS SHOWN BELOW.

TEST CIRCUIT



CERAMIC FILTER UNIT IN CERAMIC SMD PACKAGE, SIZE 7 X 3MM.

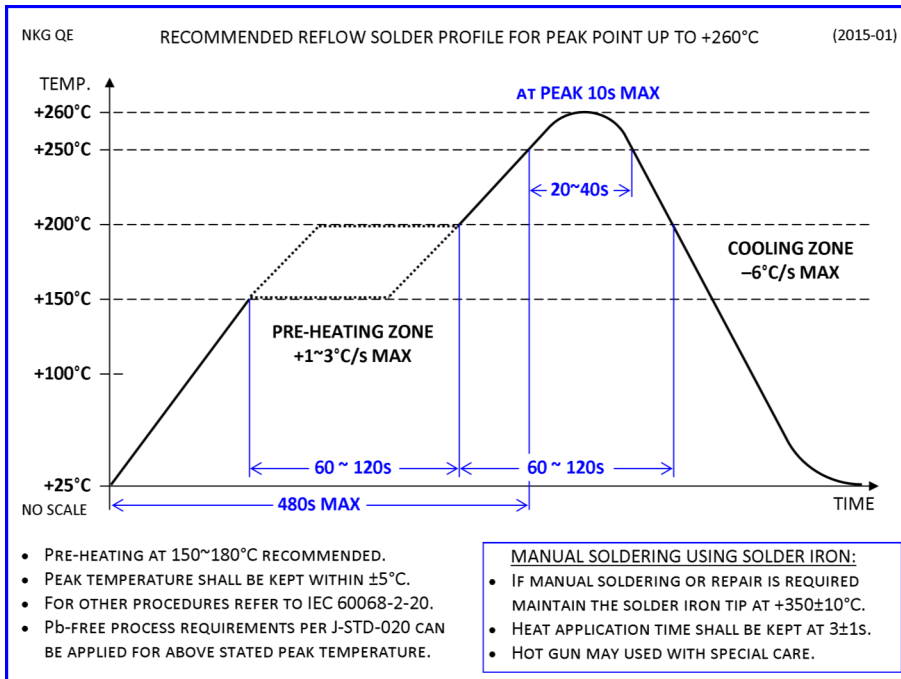
LTCA / LTCV

ENVIRONMENTAL COMPLIANCE INFORMATION

- ROHS 5/6 COMPLIANT (DIRECTIVE 2011/65/EC).
- COMPLIANT TO ROHS 2 (DIRECTIVE 2015/863) (ALSO CALLED ROHS 10).
- HALOGEN-FREE PER DEFINITION OF IEC 61249-2-21 2033.
- COMPLIANCE TO THE LISTED SVHCs BY REACH IS NOT GIVEN ANYMORE SINCE LEAD AND LEAD COMPOUNDS HAD BEEN ADDED TO THE LIST OF SVHCs.
- PRODUCT DOES NOT CONTAIN ANY PHTHALATES (PHS).
- PRODUCT DOES NOT CONTAIN PVC (POLYVINYL CHLORIDE).
- PRODUCT DOES NOT CONTAIN PFOS/PFOA NOR BEING SAME USED TO MANUFACTURE THE COMPONENTS OF THIS PRODUCT.
- MOISTURE SENSITIVITY LEVEL (MSL) 1 PER J-STD-020C.

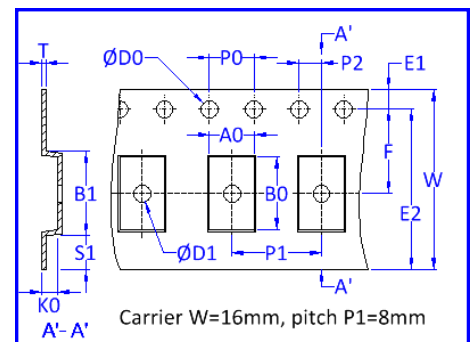


SOLDERING RECOMMENDATIONS



PACKAGING INFORMATION

- PACKAGING IN TAPE & REEL IN COMPLIANCE TO EIA-481.
- QTY PER REEL: 4,000PCS
- REEL DIA A = 330MM
EMBOSSED CARRIER TAPE
WIDTH W = 16MM.
- CAVITY PITCH P1 = 8MM.



PART NUMBER SYNTAX

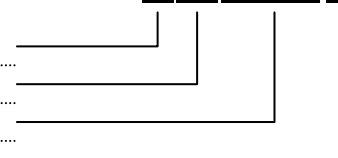
PART NUMBER FAMILY (GROUP INDICATOR FOR CERAMIC FILTER UNITS)

PART NUMBER FAMILY (MODEL INDICATOR REPRESENTING PACKAGE TYPE AND SIZE)

NOMINAL FREQUENCY (IN MHZ WITH ONE DIGIT AFTER DECIMAL POINT FOLLOWED BY "M")

TYPE CODE (REPRESENTING VIBRATION MODE AND CERTAIN ELECTRICAL PARAMETER CONFIGURATIONS)

LTCA 10.7M S2



FOR MORE INFORMATION PLEASE CONTACT US.

HONG KONG:

NAKAGAWA ELECTRONICS LIMITED

+852 2389 9201 sales@nkg.com.hk
+852 2341 0001 www.nkg.com.hk

China Shenzhen office:

深圳中川晶体电子有限公司

+86(0)755 2598 2648 sales_sz@nkg.cn
+86(0)755 2598 2390 www.nkg.com.hk

China Suzhou office:

苏州纳美电子有限公司

+86(0)512 8818 7890 sales_nm@nkg.cn
+86(0)512 8818 7889 www.nkg.com.hk