

### CERAMIC FILTER UNIT IN CERAMIC SMD PACKAGE, SIZE 3.5 X 3.1MM.

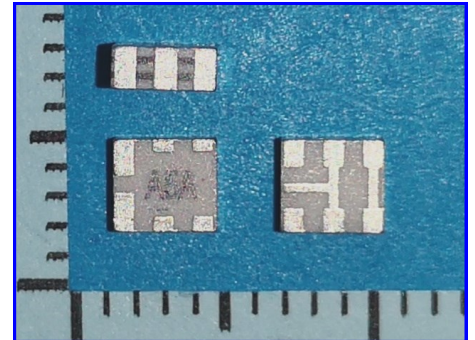
## LTCS

#### PRODUCT FEATURES

- CERAMIC SMD CASE IN WIDTH 3.5 X 3.1 X 1.4MM WITH 4 PADS.
- VARIETY OF PARAMETER CONFIGURATIONS IS AVAILABLE.

#### APPLICATIONS

- RADIO APPLICATIONS



#### PRODUCT SPECIFICATIONS

PARAMETER	SYMBOL	SPECIFICATIONS	REMARKS
FREQUENCY RANGE	$F_N$	10.700MHz	—
BANDWIDTH @3dB	$BW_3$	$\pm 180\text{kHz}$ OR $\pm 330\text{kHz}$	SEE PART NUMBER LIST ON NEXT PAGE FOR DETAILS.
BANDWIDTH @20dB (MAX)	$BW_{20}$	$\pm 470\text{kHz}$ OR $\pm 700\text{kHz}$	
INSERTION LOSS (MAX)	IL	3.0 ~ 4.5dB	
SPURIOUS ATTENUATION (MIN)	SP	30dB	
RIPPLE (MAX WITHIN $BW_3$ )	RP	1.0dB	
INPUT / OUTPUT IMPEDANCE	$Z_{IN} / Z_{OUT}$	300 $\Omega$	—
TEMPERATURE CHARACTERISTICS	$T_C$	$\pm 0.5\%$	OVER OPERATING TEMPERATURE RANGE
OPERATING TEMPERATURE RANGE	$T_{OP}$	-25°C ~ +85°C	—
WITHSTANDING VOLTAGE	$U_W$	50.0V <sub>DC</sub>	FOR 1 MINUTE MAXIMAL

#### MECHANICAL DIMENSIONS

#### RECOMMENDED LAND PATTERN

PAD	FUNCTION
1	INPUT [IN]
2	GROUND [GND]
3	N.C.
4	OUTPUT [OUT]

Ceramic filter package 3.5x3.1mm with 3 pads	
CCF33-P3	B 2019-06
No scale Unit: mm	

### CERAMIC FILTER UNIT IN CERAMIC SMD PACKAGE, SIZE 3.5 x 3.1MM.

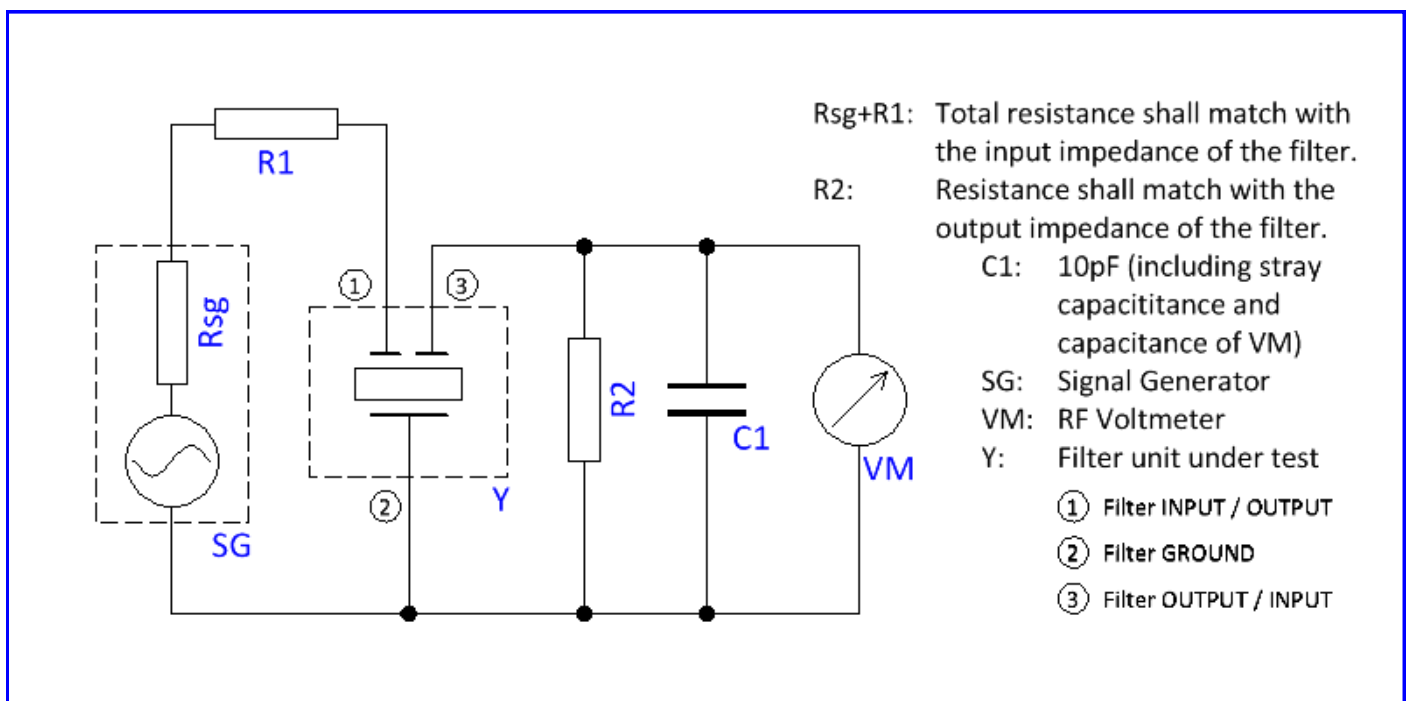
# LTCS

#### LIST OF AVAILABLE PART NUMBERS

PN	BANDWIDTH @3dB	BANDWIDTH @20dB	INSERTION LOSS (MAX)	SPURIOUS ATTENUATION (MIN)	INPUT / OUTPUT IMPEDANCE
LTCS10.7MS3	180±40kHz	±470kHz	4.5±2.0dB	30dB	330Ω
LTCS10.7MS2	230±50kHz	±510kHz	3.5±2.0dB	30dB	330Ω
LTCS10.7MSA5	280±50kHz	±590kHz	3.0±2.0dB	30dB	330Ω
LTCS10.7MSA20	330±50kHz	±700kHz	3.0±2.0dB	30dB	330Ω

NOTE 1: PARAMETER LIMITS AT +25°C AND IN TEST CIRCUIT AS SHOWN BELOW.

#### TEST CIRCUIT



### CERAMIC FILTER UNIT IN CERAMIC SMD PACKAGE, SIZE 3.5 X 3.1MM.

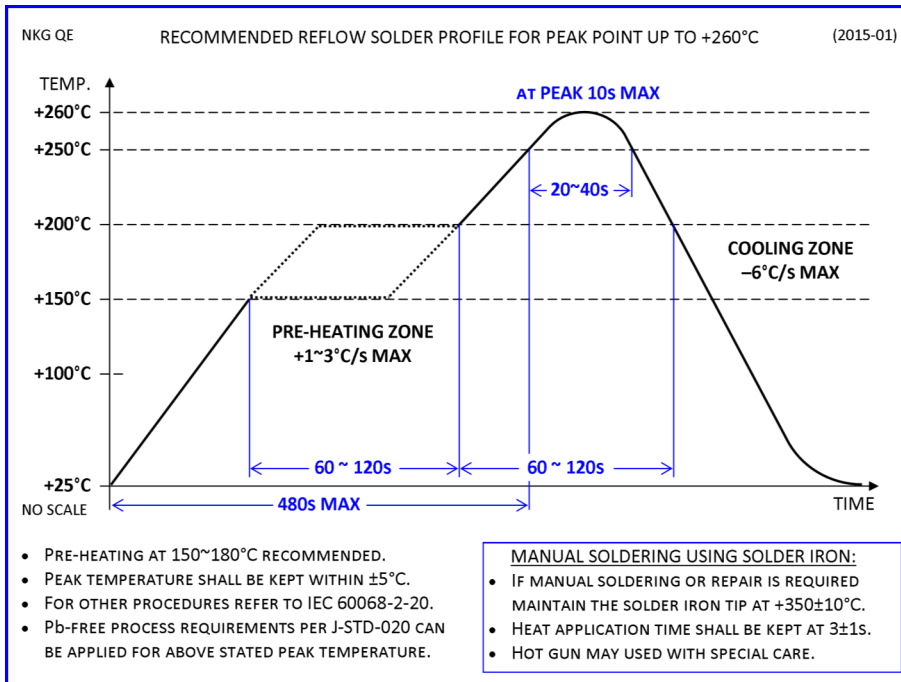
## LTCS

#### ENVIRONMENTAL COMPLIANCE INFORMATION

- ROHS 5/6 COMPLIANT (DIRECTIVE 2011/65/EC).
- COMPLIANT TO ROHS 2 (DIRECTIVE 2015/863) (ALSO CALLED ROHS 10).
- HALOGEN-FREE PER DEFINITION OF IEC 61249-2-21 2033.
- COMPLIANCE TO THE LISTED SVHCs BY REACH IS NOT GIVEN ANYMORE SINCE LEAD AND LEAD COMPOUNDS HAD BEEN ADDED TO THE LIST OF SVHCs.
- PRODUCT DOES NOT CONTAIN ANY PHTHALATES (PHS).
- PRODUCT DOES NOT CONTAIN PVC (POLYVINYL CHLORIDE).
- PRODUCT DOES NOT CONTAIN PFOS/PFOA NOR BEING SAME USED TO MANUFACTURE THE COMPONENTS OF THIS PRODUCT.
- MOISTURE SENSITIVITY LEVEL (MSL) 1 PER J-STD-020C.

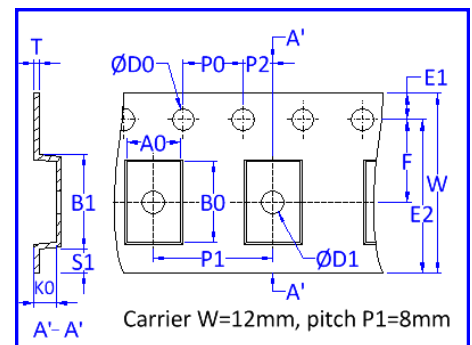


#### SOLDERING RECOMMENDATIONS



#### PACKAGING INFORMATION

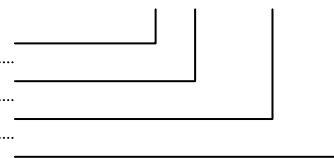
- PACKAGING IN TAPE & REEL IN COMPLIANCE TO EIA-481.
- QTY PER REEL: 1,000PCS
- REEL DIA A=180MM.
- EMBOSSED CARRIER TAPE WIDTH W = 12MM.
- COMPONENT PITCH P1 = 8MM.



#### PART NUMBER SYNTAX

- PART NUMBER FAMILY (GROUP INDICATOR FOR CERAMIC FILTER UNITS)
- PART NUMBER FAMILY (MODEL INDICATOR REPRESENTING PACKAGE TYPE AND SIZE)
- NOMINAL FREQUENCY (IN MHZ WITH ONE DIGIT AFTER DECIMAL POINT FOLLOWED BY "M")
- TYPE CODE (REPRESENTING VIBRATION MODE AND CERTAIN ELECTRICAL PARAMETER CONFIGURATIONS)

#### LT CS 10.7M S2



FOR MORE INFORMATION PLEASE CONTACT US.

HONG KONG:  
NAKAGAWA ELECTRONICS LIMITED  
+852 2389 9201 sales@nkg.com.hk  
+852 2341 0001 www.nkg.com.hk

China Shenzhen office:  
深圳中川晶体电子有限公司  
+86(0)755 2598 2648 sales\_sz@nkg.cn  
+86(0)755 2598 2390 www.nkg.com.hk

China Suzhou office:  
苏州纳美电子有限公司  
+86(0)512 8818 7890 sales\_nm@nkg.cn  
+86(0)512 8818 7889 www.nkg.com.hk